



Cable can differ from picture



Part no.	IX2205
Product Name	Wideband antenna screw mount with 3m cable, IP67
Feature	3 meter low loss cable CFD-200 SMA(M) Low profile, height just 48 mm and diameter 50 mm Heavy duty screw mount UV and vandal resistant ABS housing and thread 698 to 960 MHz, 2.4 Ghz and 1710 to 2700 MHz IP67 compliant CE certified RoHS & REACH compliant

Electrical

Band	Frequency (MHz)	Efficiency*	Average Gain (dBi)	Peak Gain (dBi)
5G NR/4G Band 5, 8, 12, 13, 14, 17, 18, 20, 26, 27, 28, 29, 71	617-960	53.5%	-2.72	3.11
5G NR/4G Band 21, 32, 74, 75, 76	1427-1518	28.6%	-5.43	-0.66
4G/3G Band 1, 2, 3, 4, 9, 23, 25, 35, 39, 66	1710-2200	58.7%	-2.31	3.75
4G/3G Band 40	2300-2400	62.5%	-2.04	2.92
4G/3G Band 7, 38, 41	2490-2690	55.0%	-2.59	1.65
Wi-Fi 2400	2400 - 2500 GHz	57.6%	-2.40	2.34

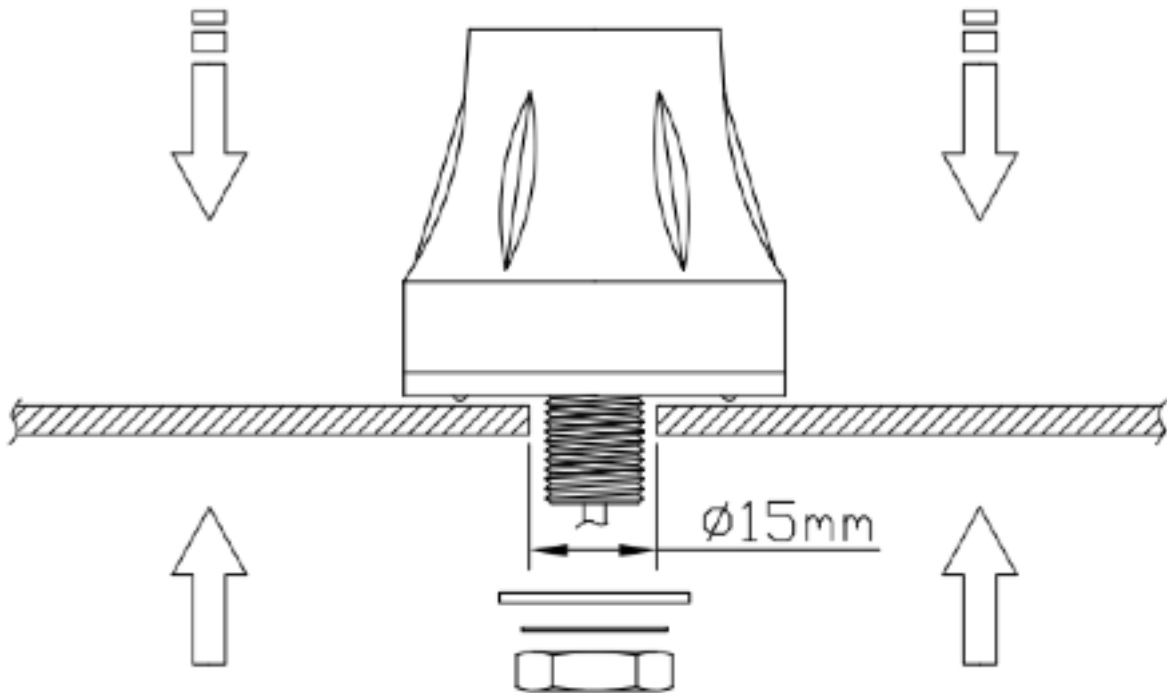
*in free space

Impedance	50 Ω
Polarization	Linear
Radiation Pattern	Omni-directional
Max Input Power	2 W
Cable length	3 m

Environmental

Temperature range	-40°C to 85°C
Casing	Non-condensing 65°C 95% RH

Mounting Instructions (unit:mm)



IXON makes no warranties based on the accuracy or completeness of the contents of this document and reserves the right to make changes to specifications and product descriptions at any time without notice. IXON reserves all rights to this document and the information contained herein. Reproduction, use or disclosure to third parties without express permission is strictly prohibited. Copyright © IXON B.V.
